

5X 2MP Smart Light IP Camera

BMMDKL2R-X5



- Built-in Mic
- WDR
- With Internal POE
- 2.7-13.5mm(F1.6) Motor Zoom & Auto Focus Lens
- Intrusion Detection(based on human shape&vehicle detection)



Camera

Image Sensor	1/2.8" SONY Starvis Back-illuminated CMOS sensor
Resolution	2MP
Effective Pixels	1945(H)*1097(V)
Compression	H.264/H.265/H.264+/H.265+
Audio Compression	G711A/U,AAC,MP2L2
TV System	PAL/NTSC
Electronic Shutter Time	Auto: 1/3-1/100000Sec
Minimum Illumination	Color: 0.001 Lux@(F1.6, AGC ON), B/W: 0 Lux with IR
S/N Ratio	60dB
Scanning System	Progressive
Video Output	Network
Reset Button	Optional

Lens

Focal Length & FOV	2.7-13.5mm Motor Zoom, horizontal FOV 110°—32°, vertical FOV 58°—19°, diagonal FOV 132°—36°
Lens Type	Auto
Focus Control	Auto
Aperture	F1.6 - F3.3
Pixels	AF-2MP

Night Vision

Supplement Light	3PCS
Supplement Light Distance	40m
Supplement Light Status	Auto Control
Supplement Light Power On	Smart, Manual & Timed mode

Network

Ethernet	RJ-45 (10/100Base-T)
Wireless	N/A
Protocol	TCP/IP, IPv4/v6, ICMP, HTTP, HTTPS, FTP, DHCP, DNS, DDNS, RTP, RTSP, RTMP, RTCP, PPPoE, NTP, SMTP, UDP, SNMP, Qos, 802.1x
ONVIF	Support ONVIF 24.12(Profile S/T/G/M)
P2P	YES
POE	Internal, Support IEEE 802.3af
Video Delay	300ms (Within the Lan)
Main Stream 1	1920*1080@30fps
Main Stream 2	1280*720@30fps
Main Stream 3	720*480@30fps
Sub Stream 1	720*480@30fps
Sub Stream 2	N/A
Sub Stream 3	N/A

Tri Stream	N/A
IE Brower	Microsoft Edge, IE11, Google Chrome, Firefox, Mac Safari
Smart Phone	iPhone, Android

AI Function

Intelligent Analysis	Intrusion Detetion(based on human and Vehicle Detection), Motion Detection(supports the detection based on human movement)
----------------------	--

Camera Features

Day/Night	Color/ B&W (IR-CUT)
Image Config	Saturation/Brightness/Contrast/Sharpness, Mirror, 3D NR, White Balance, Anti Flicker, Video Tampering, HLC
Full Color	N/A
Corridor Pattern	N/A
Defog Mode	N/A
ROI	Support
BLC	Support
WDR	120dB
Motion Detection	Support(support enable the detection based on human and Vehicle movement)
Privacy Masking	3 Rectangular Zone
Recording Mode	NVR/CMS/Web
Language	Chinese Simplified, Chinese Traditional, English, Korean, Polish, French, Japanese, Spanish, Portuguese, Italian, Hebrew, Ukrainian, Arabic, Vietnamese, Thai, Hungarian, Czech

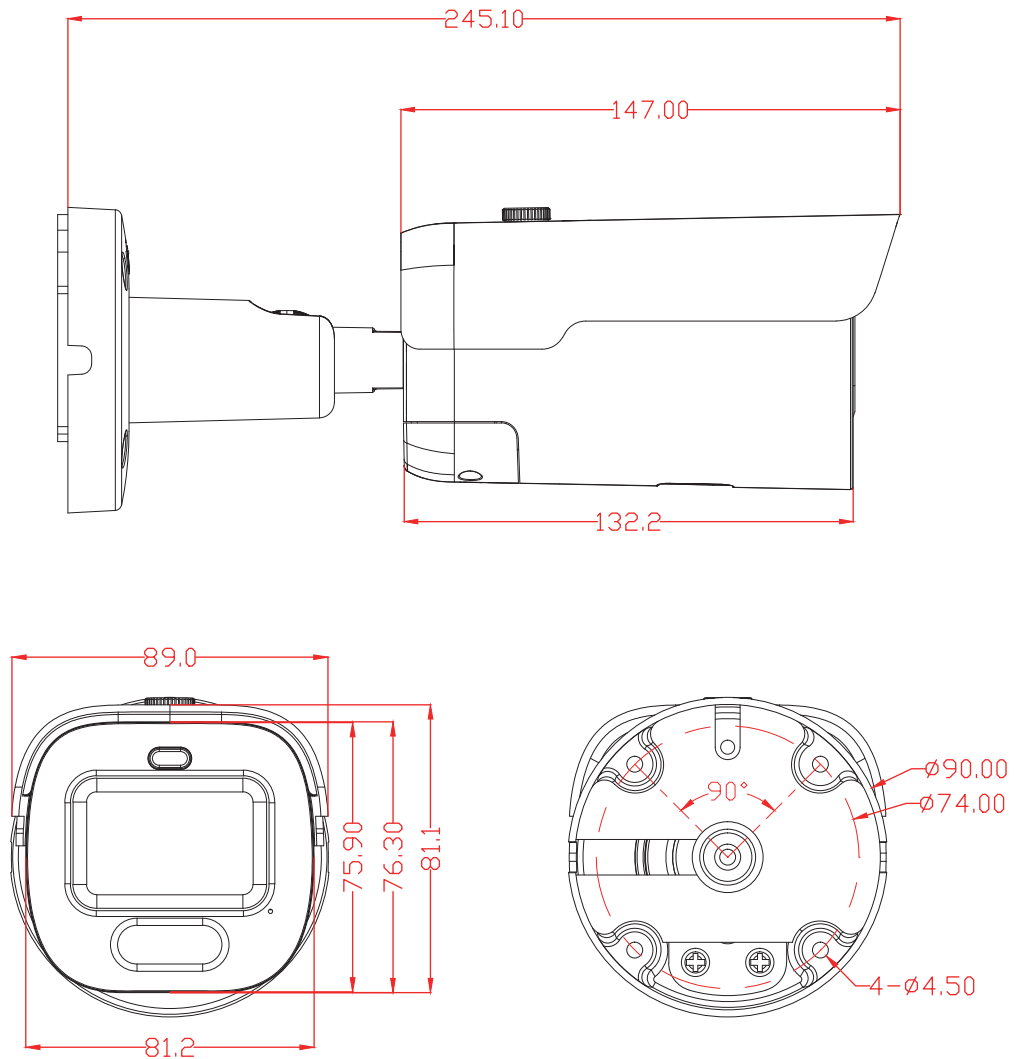
Interface

Audio	Default: Built in Mic Option: Audio I/O
Alarm	Default: Without Option: Alarm I/O
SD Card Slot	Default: Without Option: External SD card slot (Max 512GB)
RS485	N/A

General

Housing	Metal, IP67
Anti-cut Bracket	NO
IR Cut Filter	YES
Operation Temperature	-30℃ ~ +60℃ RH95% Max
Storage Temperature	-30℃ ~ +60℃ RH95% Max
Power Source	DC12V±10%,900mA
Dimension	89 x 81.1 x 245.1 mm
Weight (N.W./G.W.)	Approx. 1009.5 g / Approx. 1202.8 g

Dimensions (mm)



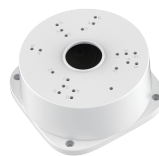
Optional Accessories



B320
Junction BOX



B116
Junction BOX



PC115
Junction BOX



PB14146
Junction BOX